



# STM BEER

## BEER CASE STUDY

 **STM**  GROUP

**MICRO CAN**  
CANNING MACHINES

- Official Representative in Poland

# OUR CLIENTS



**PINTA**

**NEPO** MU  
CEN

FABRICA  
**GRIVIȚA**



**r-water**



## PINTA BREWERY, POLAND

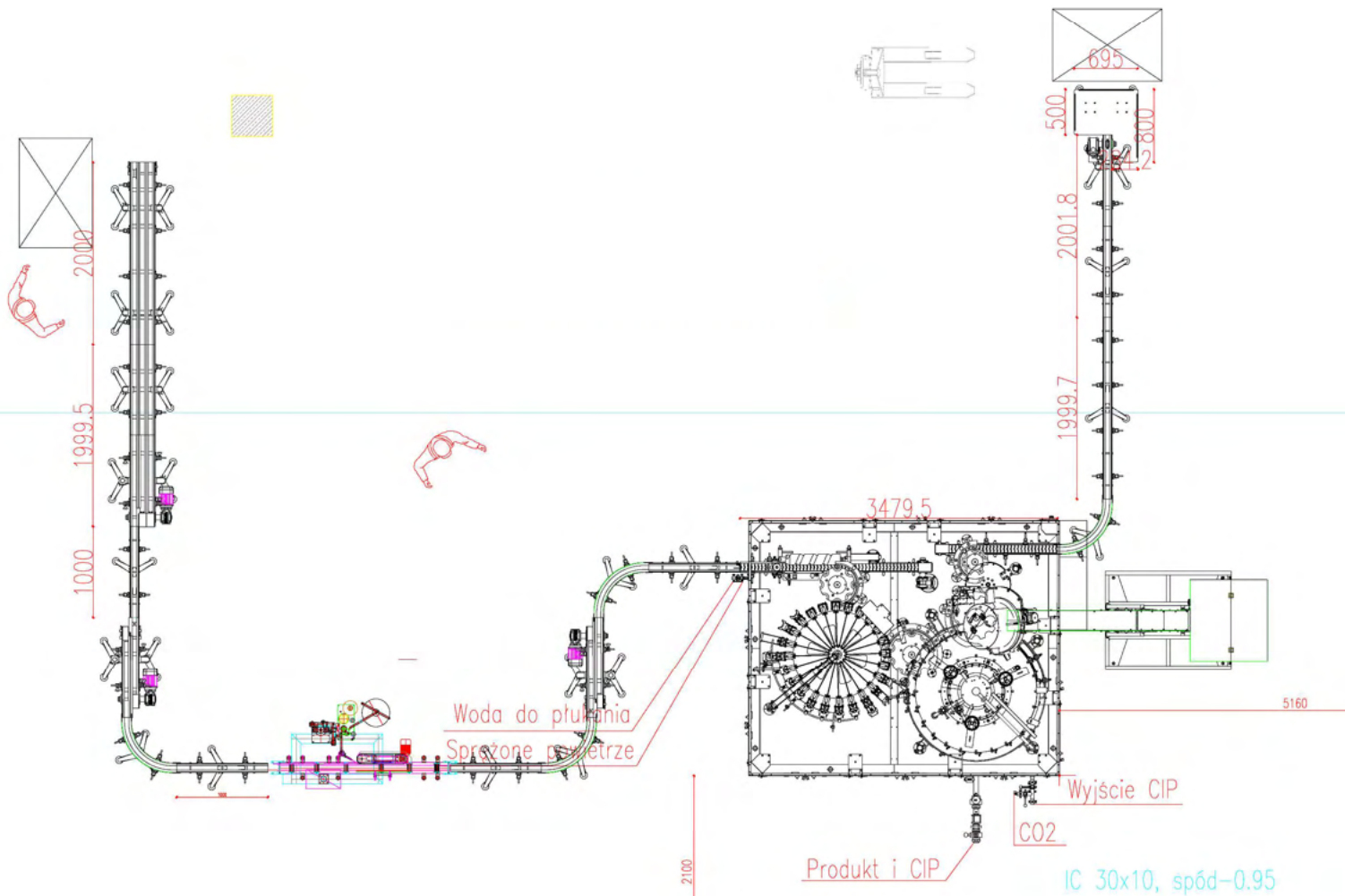
- CAPACITY – 6500BPH
- TRIBLOCK 24/24/6 ISO BEER
- SELF-ADHESIVE LABELER UNO ADE
- DATA PRINTER
- FLAT CONVEYORS XPP
- INFEED TABLE FOR EMPTY BOTTLES
- COLLECTION TABLE FOR FINISHED PRODUCT
- MICROCAN CL5 V3E



**PINTA**

**STY  BEER**







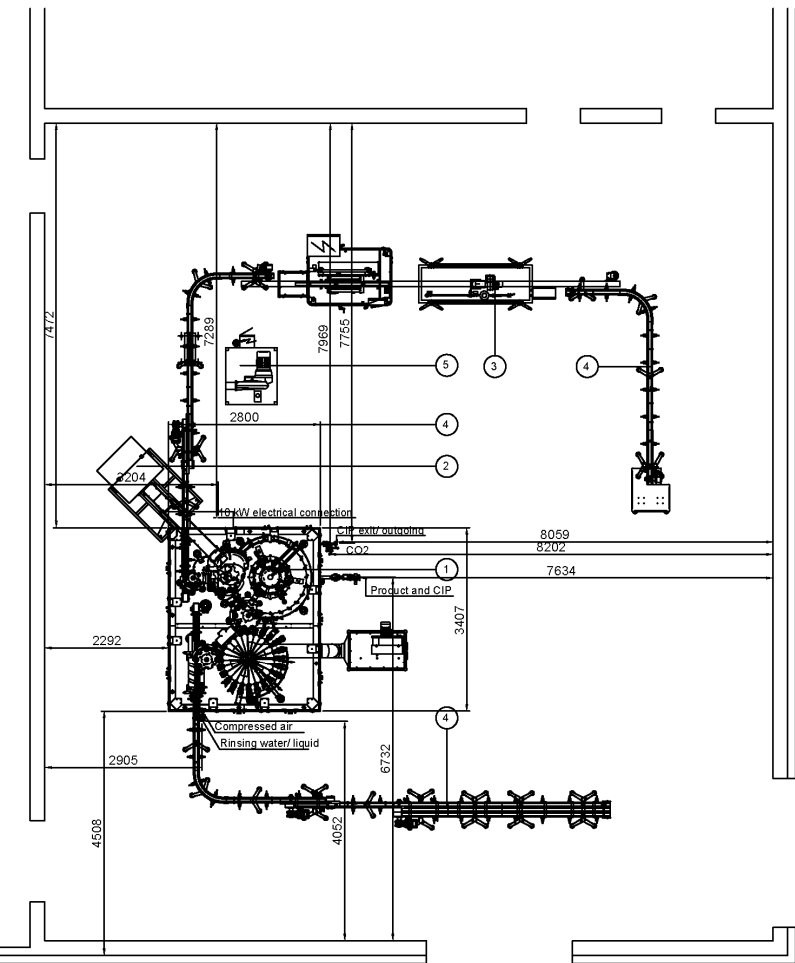


## R-WATER BREWERY, HUNGARY

- CAPACITY – 6500BPH
- TRIBLOCK 24/24/6 ISO BEER
- SELF-ADHESIVE LABELER UNO ADE
- DATA PRINTER
- FLAT CONVEYORS XPP
- INFEEED TABLE FOR EMPTY BOTTLES
- COLLECTION TABLE FOR FINISHED PRODUCT

**r·water**

**STMI BEER**

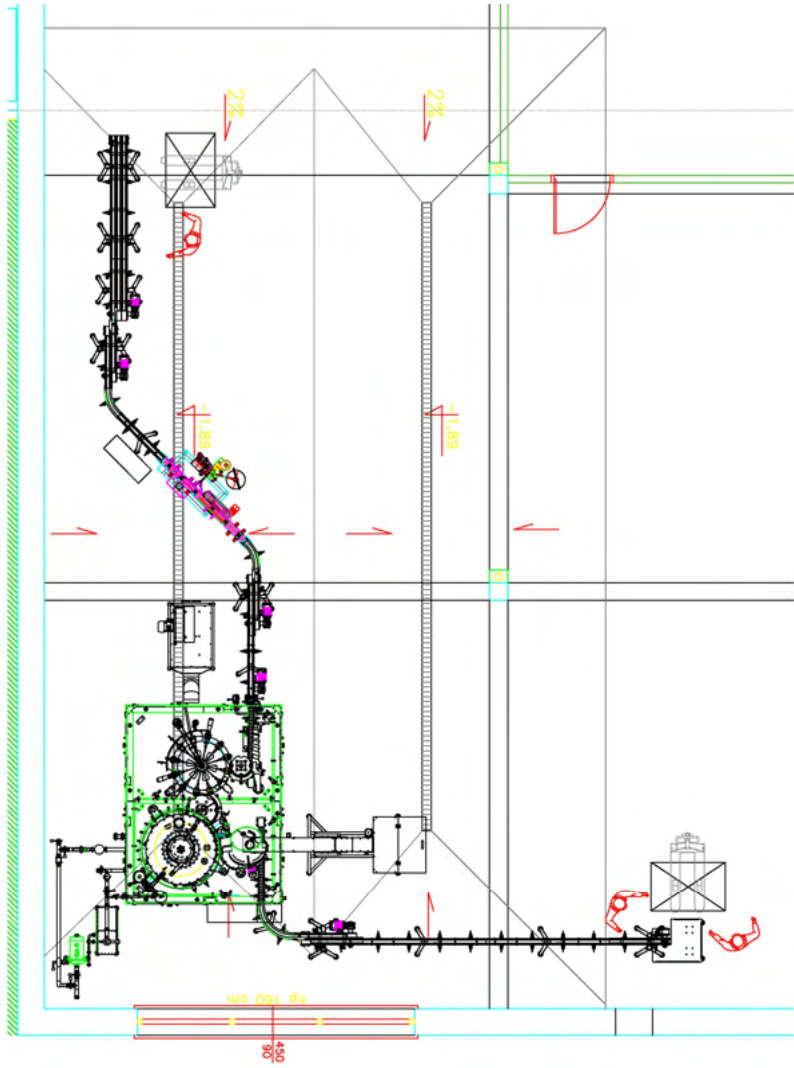


## KOCIEWSKI BREWERY, POLAND

- CAPACITY – 4200BPH
- TRIBLOCK 16/16/4 ISO BEER
- SELF-ADHESIVE LABELER UNO ADE
- DATA PRINTER
- FLAT CONVEYORS XPP
- INFEEED TABLE FOR EMPTY BOTTLES
- COLLECTION TABLE FOR FINISHED PRODUCT
- FLASH PASTEURIZER 1500 L/H





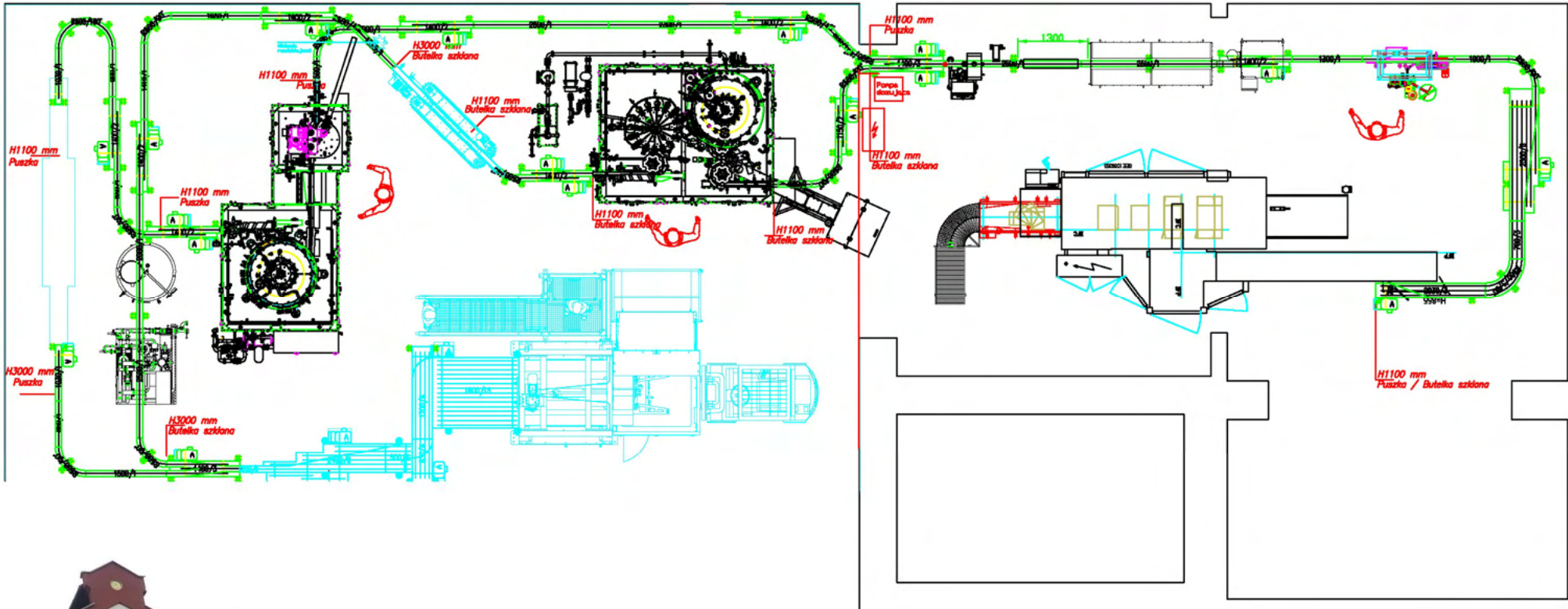






## CASTLE BREWERY, POLAND 2 HYBRID LINES:

- CAPACITY – 6000CPH & 4200BPH
- TRIBLOCK 24/24/6 ISO BEER
- MONOBLOCK 16/2 ISO BEER
- UNIVERSAL DEPALLETIZER
- DOUBLE TWIST-RINSER FOR CANS
- VERTICAL CONVEYOR-LOWERATOR FOR BOTTLES
- AIR KNIVES
- X-RAY FILLING LEVEL INSPECTOR
- SELF-ADHESIVE LABELER UNO ADE
- DATA PRINTER
- FLAT CONVEYORS XPP
- FLASH PASTEURIZER 3000L/H



**STM BEER**





## LWÓWEK BREWERY, POLAND

- CAPACITY – 9000BPH
- TRIBLOCK 32/32/8 ISO BEER





STMI  BEER

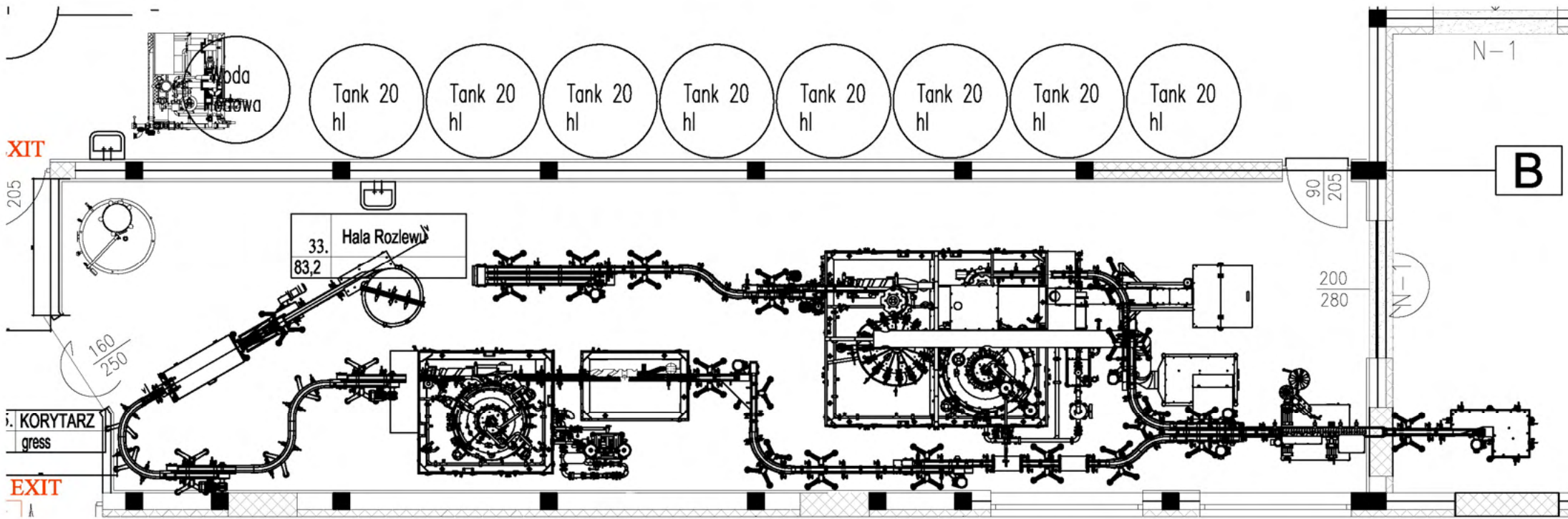




## PIWOTEKA, POLAND 2 HYBRID LINES:

- CAPACITY – 4200BPH & 2500CPH
- TRIBLOCK 16/16/4 ISO BEER
- MONOBLOCK 9/1 ISO BEER
- TWO INFEED TABLES
- TWIST-RINSER
- SELF-ADHESIVE LABELER UNO ADE
- DATA PRINTER
- FLAT CONVEYORS XPP
- COLLECTION TABLE FOR FINISHED PRODUCT



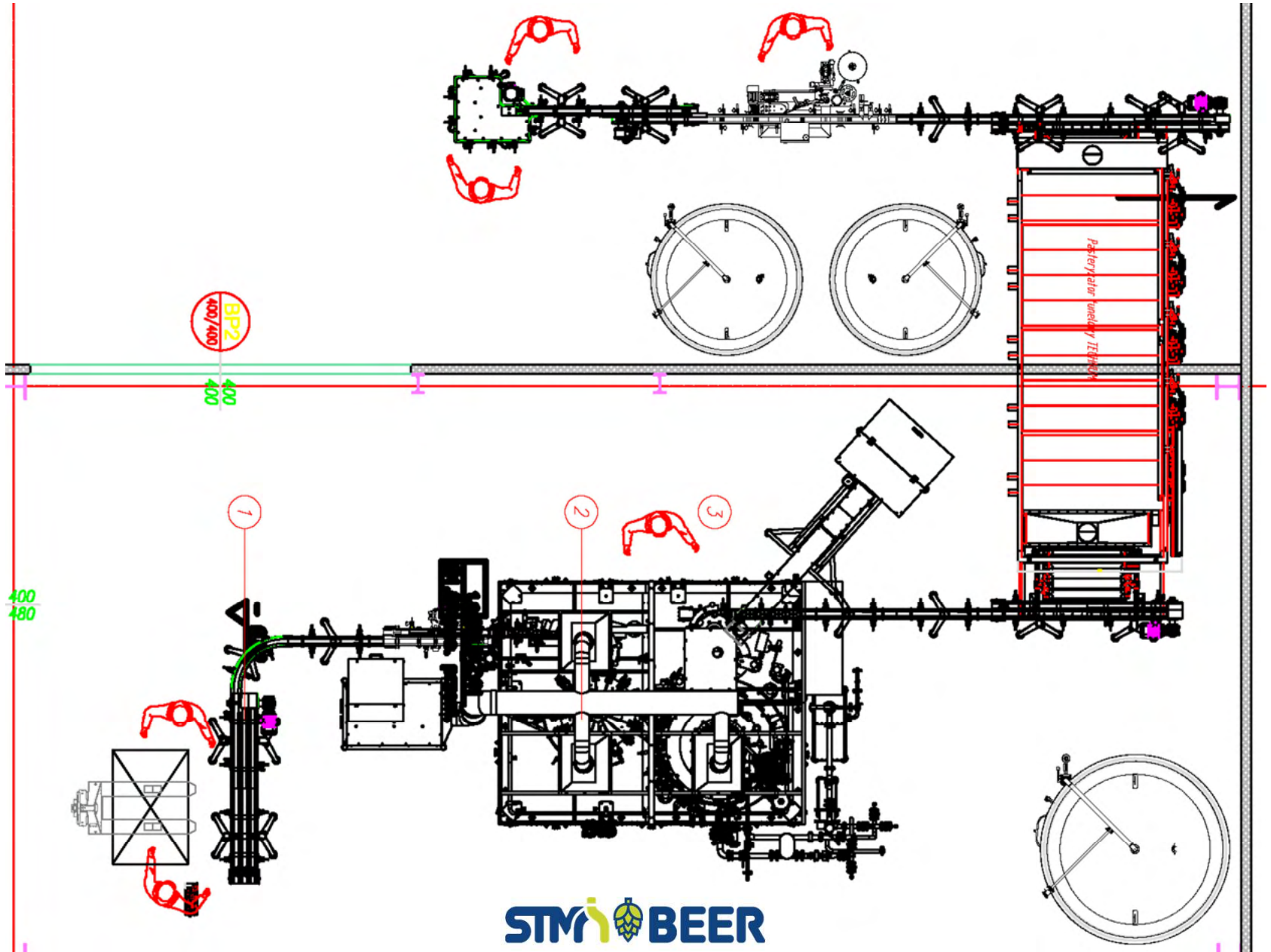


## JABEERWOCKY BREWERY, POLAND

- CAPACITY – 4200BPH
- TRIBLOCK 16/16/4 ISO BEER
- SELF-ADHESIVE LABELER UNO ADE
- DATA PRINTER
- FLAT CONVEYORS XPP
- INFEED TABLE FOR EMPTY BOTTLES
- COLLECTION TABLE FOR FINISHED PRODUCT







**STM BEER**



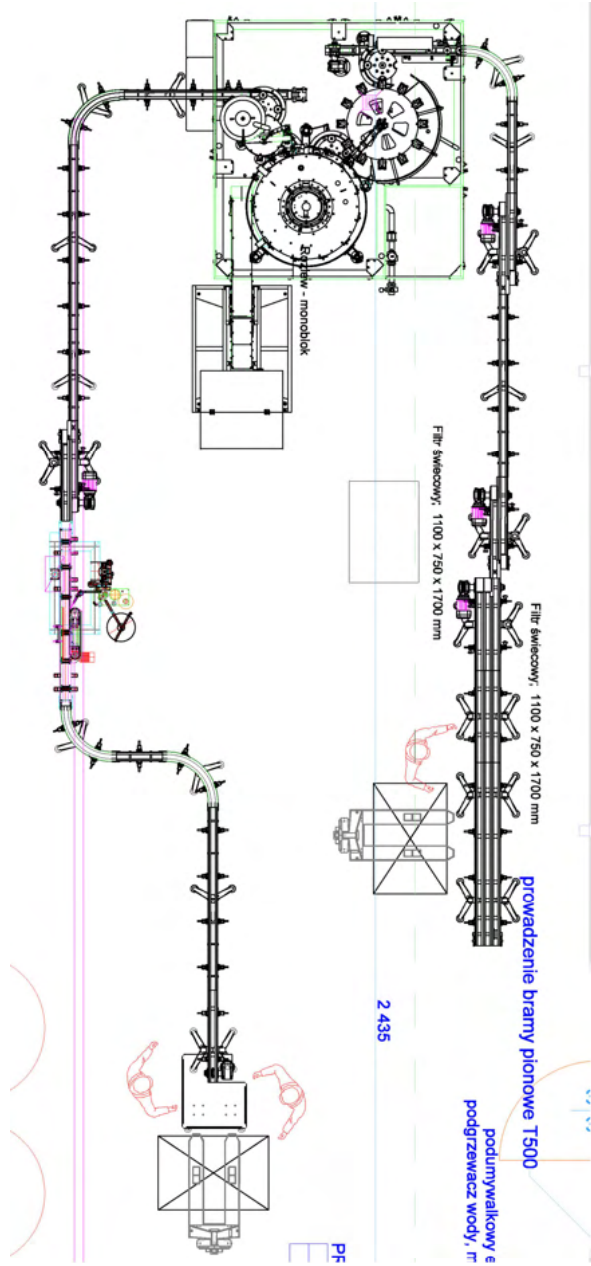


## ZA MIASTEM BREWERY, POLAND

- CAPACITY – 4200BPH
- TRIBLOCK 16/16/4 ISO BEER
- SELF-ADHESIVE LABELER UNO ADE
- DATA PRINTER
- FLAT CONVEYORS XPP
- INFEED TABLE FOR EMPTY BOTTLES
- COLLECTION TABLE FOR FINISHED PRODUCT







## TENCZYNEK BREWERY, POLAND

- BLOW MOLDING MACHINE BLUELINE 2 STANDARD – CAPACITY 3000BPH



BROWAR  
**TENCZYNEK**  
1553

STY  BEER







**Kultowy Browar  
Staropolski**

## **KULTOWY STAROPOLSKI BREWERY, POLAND – FOR 12000CPH/BPH LINE:**

- AUTOMATIC UNIVERSAL DEPALLETIZER WITH AUTOMATIC PALLET BUFFERING
- TWIST-RINSER FOR CANS
- VERTICAL CONVEYOR-LOWERATOR FOR BOTTLES
- INTEGRATION WITH THE REST OF MACHINES IN HYBRID FILLING LINE
- FLAT CONVEYORS XPP
- PALLETIZING SYSTEM BASED ON KAWASAKI ROBOT





# DUMNI Z HISTORII WIERNI TRADYCJI



nie...  
S...  
Chm...  
Hallertauer...  
Blg - 12% wag...

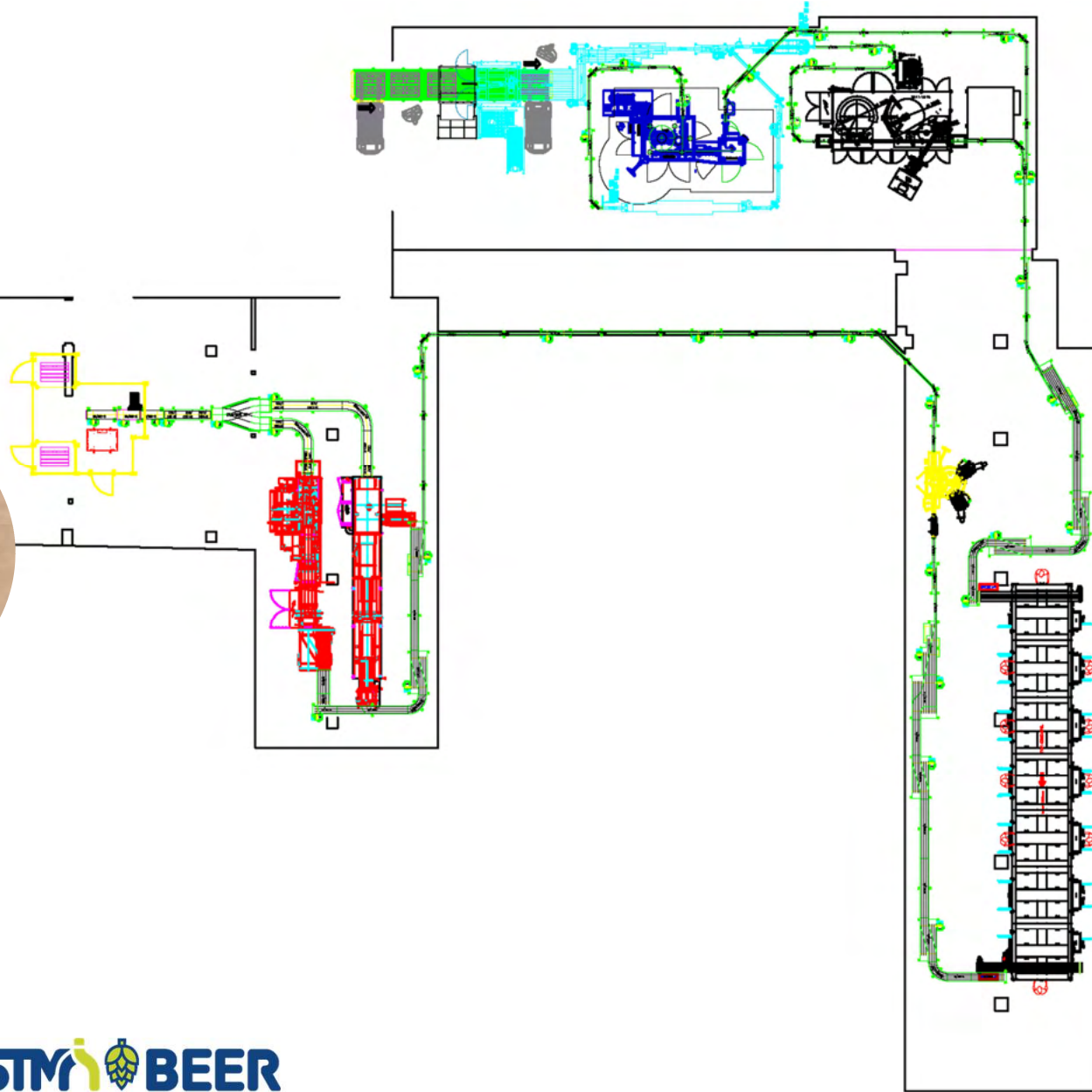
### STAROPOLSKIE

Piwa nie warzy się z ch...  
chmiel to tylko przyprawa...  
Staropolskie Chmielne...  
przyprawiamy czterema...  
gatunkami chmielu,  
dodawanymi na różnych...  
etapach warzenia. Chmiel...  
te nadają piwu nienachalną...  
goryczkę oraz delikatny...  
cytrusowy aromat.

Slód - pilzneński  
Chmiele - Magnum, Sybill...  
Hallertauer Tradition, Citr...  
Blg - 12% wag., alk. 5,5%

### STAROPOLSKIE

Jasno słomko...  
mętne piwo...  
Dzięki d...  
psher...  
w...



## SZCZYRZYC BREWERY, POLAND

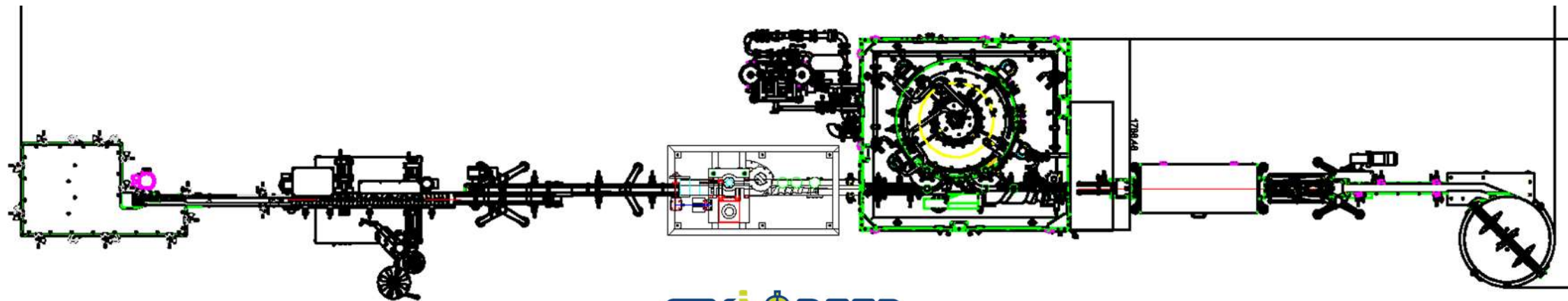
- CAPACITY – 3000CPH
- MONOBLOCK 9/1 ISO BEER
- SELF-ADHESIVE LABELER UNO ADE
- DATA PRINTER
- FLAT CONVEYORS XPP
- INFEED TABLE FOR EMPTY CANS
- COLLECTION TABLE FOR FINISHED PRODUCT



STY  BEER







STM  BEER

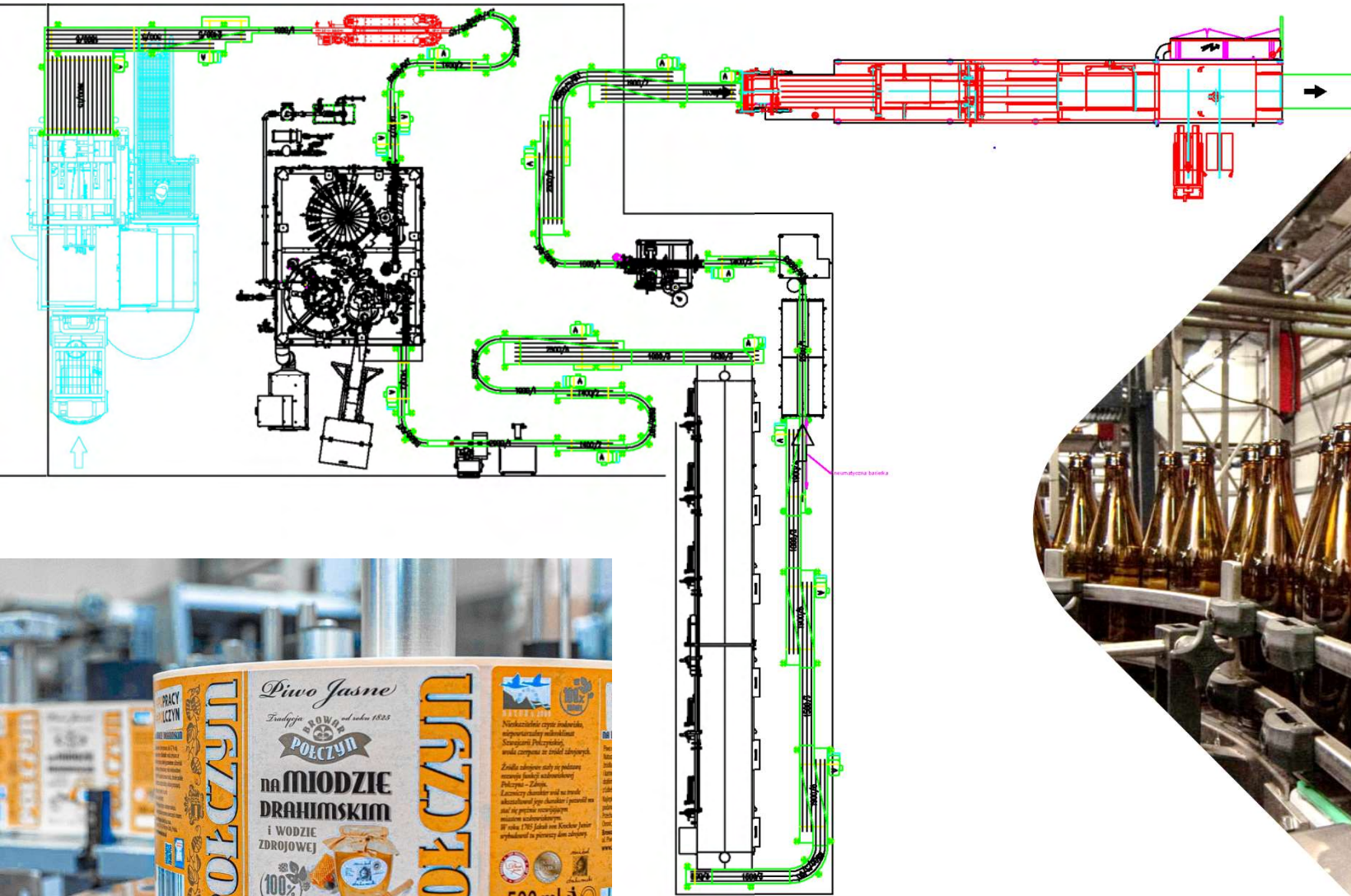




## POŁCZYN-ZDRÓJ, POLAND

- CAPACITY – 6500BPH
- TRIBLOCK 24/24/6 ISO BEER
- GLASS BOTTLE DEPALLETIZER
- VERTICAL CONVEYOR-LOWERATOR
- AIR KNIVES
- FILLING LEVEL INSPECTOR
- SELF-ADHESIVE LABELER UNO ADE
- DATA PRINTER
- FLAT CONVEYORS XPP
- TUNNEL PASTEURIZER 6500BPH
- INTEGRATION WITH EXISTING PACKING MACHINE







# DARUVAR BREWERY, CROATIA

## 1ST LINE:



- CAPACITY – 15000CPH
- FULL-HEIGHT CAN DEPALLETIZER
- DOUBLE TWIST-RINSER FOR CANS
- MONOBLOCK 40/6 ISO BEER
- TUNNEL PASTEURIZER PETEK
- X-RAY LEVEL INSPECTOR FT SYSTEM
- DATA PRINTER
- AIR KNIVES
- FLAT CONVEYORS XPP
- SHRINK WRAPPING MACHINE DIMAC –
- FILM ONLY (2X2 & 3X2) / TRAY+FILM (6X4)
- SINGLE/DOUBLE LANE PACK CONVEYORS
- TES STM PALLETIZING SYSTEM ON 2 ROBOTS







PIVOVARA  
DARUVAR  
1840

## DARUVAR BREWERY, CROATIA 2ND LINE:

- CAPACITY – 3000BPH
- TES STM BLUELINE 3 STANDARD PET BLOW MOLDING MACHINE
- TRIBLOCK 20/40/8 ISO BEER
- AIR CONVEYORS
- HF FILLING LEVEL INSPECTOR
- TES STM AIR KNIVES
- LINEAR LABELER STM UNO ROLL
- DATA PRINTER
- FLAT CONVEYORS XPP
- SHRINK WRAPPING MACHINE AP10
- TES STM PALLETIZING SYSTEM ON 2 KAWASAKI ROBOTS



STM  BEER

## DARUVAR BREWERY, CROATIA PALLETIZING SYSTEM:



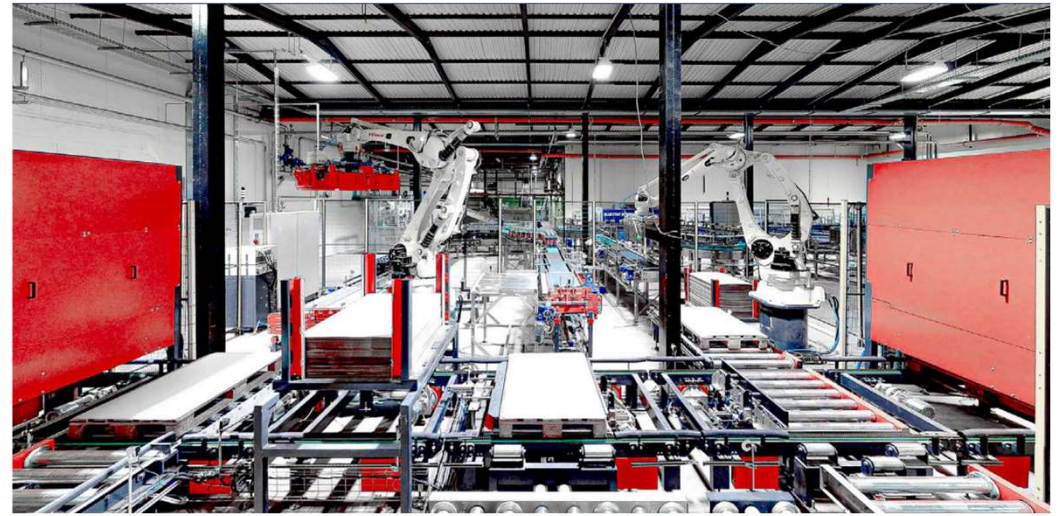
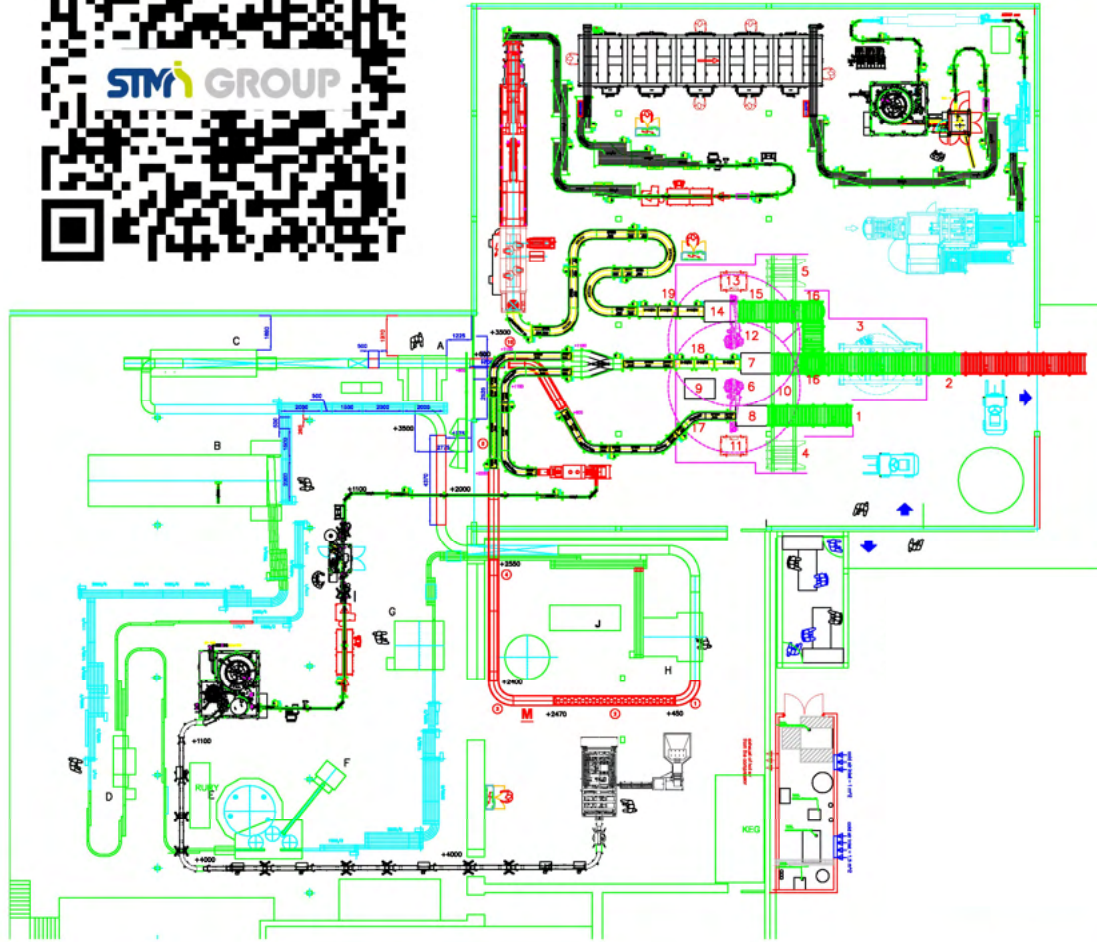
1. FIRST LINE – CAN FILLING LINE
  - CAPACITY 15000CPH, 330&500ML
  - 3X2 & 2X2 ON 330&500ML IN FILM ONLY
  - 6X4 ON 330&500ML IN TRAY+FILM
2. SECOND LINE – PET BOTTLE FILLING LINE
  - CAPACITY 3000BPH, 2L
  - 3X2 ON 2L IN FILM ONLY
3. THIRD LINE – RETURNABLE GLASS BOTTLES FILLING LINE
  - CAPACITY 20000BPH, 500ML
  - 5X4 IN CRATES
  - DEPALLETIZING 20000BPH
  - PALLETIZING 20000BPH







STM GROUP



STM BEER

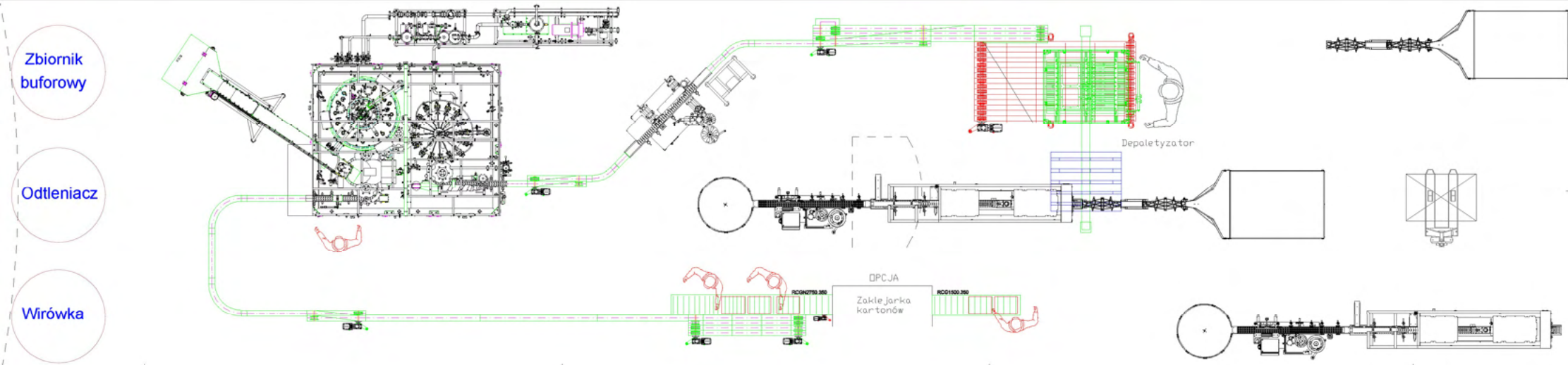
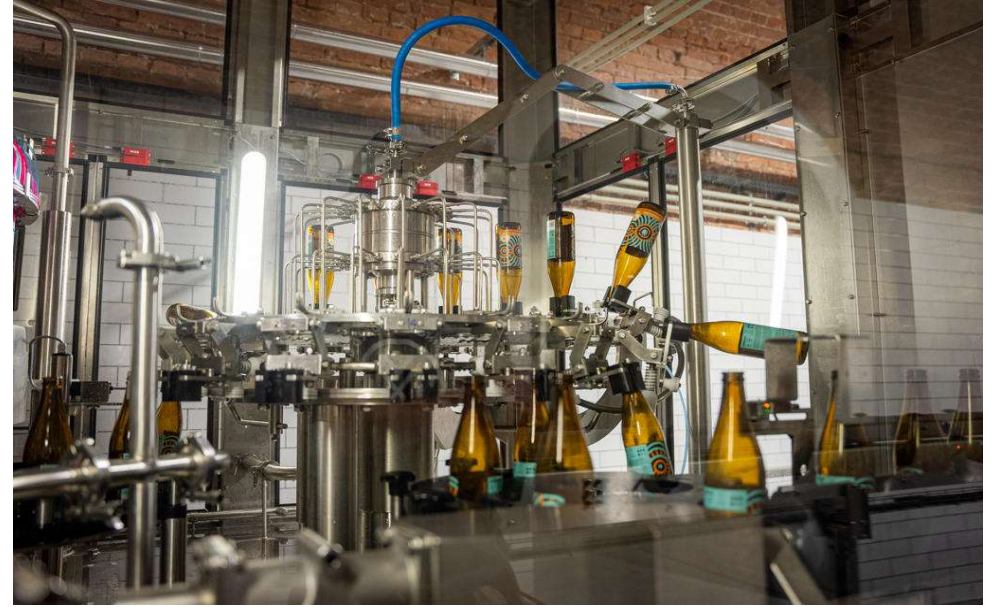




## TARNOBRZEG BREWERY, POLAND

- CAPACITY – 4200BPH
- TRIBLOCK 16/16/4 ISO EPV BEER
- SEMI-AUTOMATIC DEPALLETIZER
- SELF-ADHESIVE LABELER UNO ADE
- DATA PRINTER
- FLAT CONVEYORS XPP
- INFEED TABLE FOR EMPTY BOTTLES
- COLLECTION TABLE FOR FINISHED PRODUCT
- **MICROCAN CL5 V3E – SOON...**











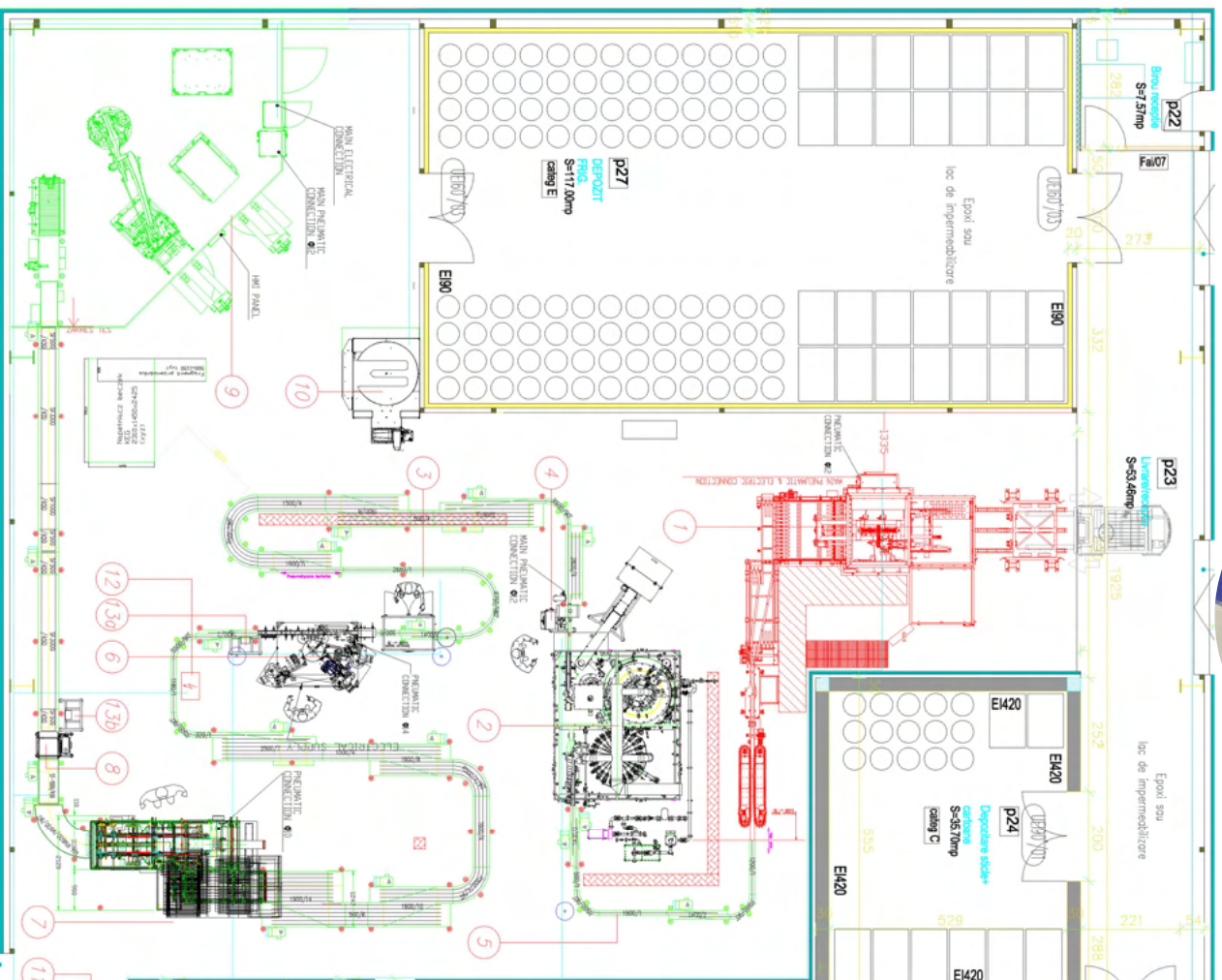
FABRICA  
**GRIVIȚA**



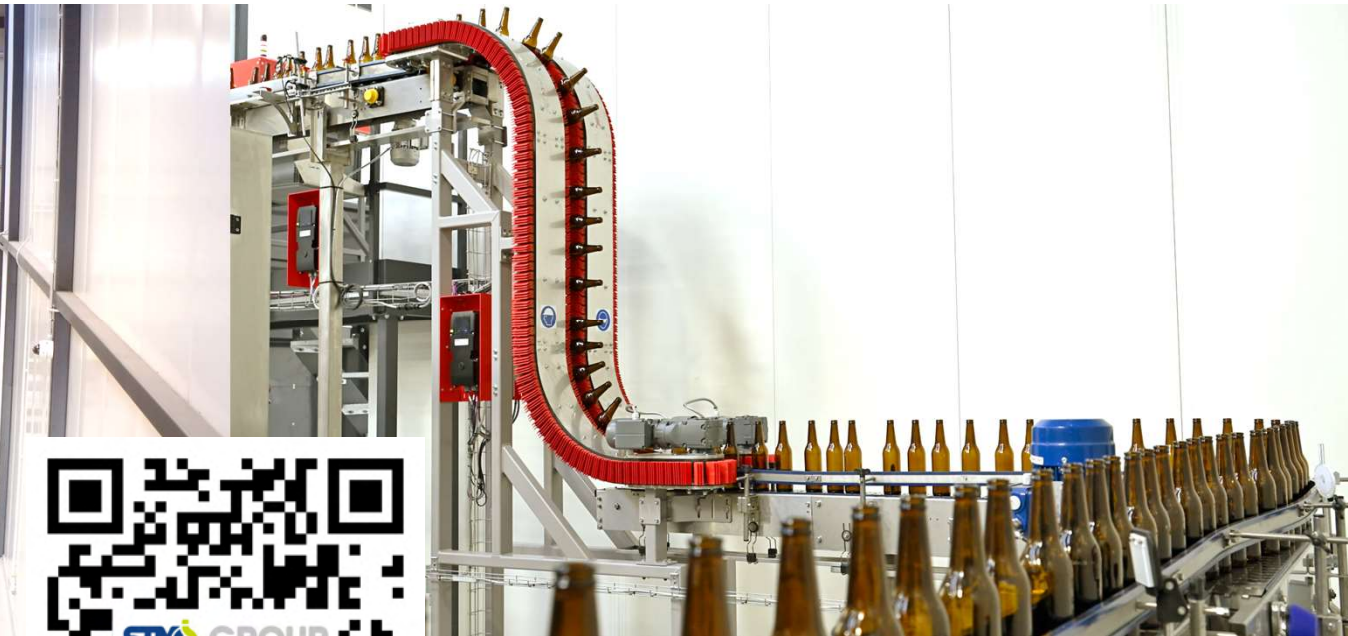
## FABRICA GRIVITA, ROMANIA

- CAPACITY – 6500BPH
- TRIBLOCK 24/24/6 ISO BEER
- GLASS BOTTLE DEPALLETIZER
- VERTICAL CONVEYOR-LOWERATOR
- AIR KNIVES
- FILLING LEVEL INSPECTOR
- SELF-ADHESIVE LABELER UNO ADE
- DATA PRINTER
- FLAT CONVEYORS XPP
- WRAP-AROUND PACKING MACHINE
- DYNAMIC CHECKWEIGHER
- PALLETIZING SYSTEM BASED ON KAWASAKI ROBOT

**STMI**  **BEER**









# NEPO MU CEN

## NEPOMUCEN, POLAND



- CAPACITY – 6000CPH
- MONOBLOCK 14/2 ISO EPV BEER

STM  BEER



- STM ARROW CAN EPV 14/2



STM  BEER





# STM BEER

LET'S TALK ABOUT  
HOW WE CAN MAKE YOU  
OUR NEXT HAPPY CLIENT!

 **STM**  GROUP

**MICRO CAN**  
CANNING MACHINES

● Official Representative in Poland